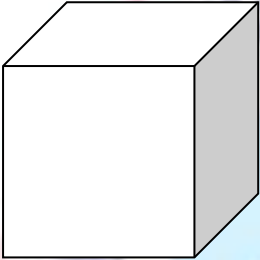
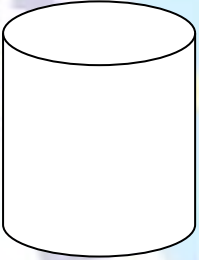
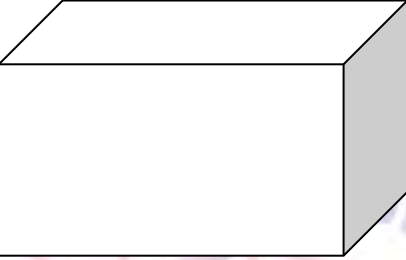
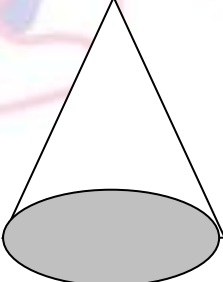


DEPARTMENT OF MATHEMATICS**GRADES 4 TO 12****TERM-1, ACADEMIC YEAR 2017 – 18**

Worksheet No. 1		Topic NETS			
Grade	6	Section		Date	15-11-17
Student Name					

Write a description for each shape.

	This 3D shape is a _____.
	This 3D shape is a _____.
	This 3D shape is a _____.
	This 3D shape is a _____.